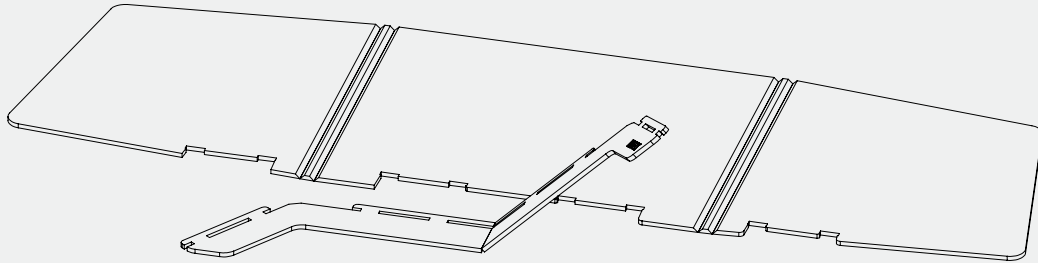
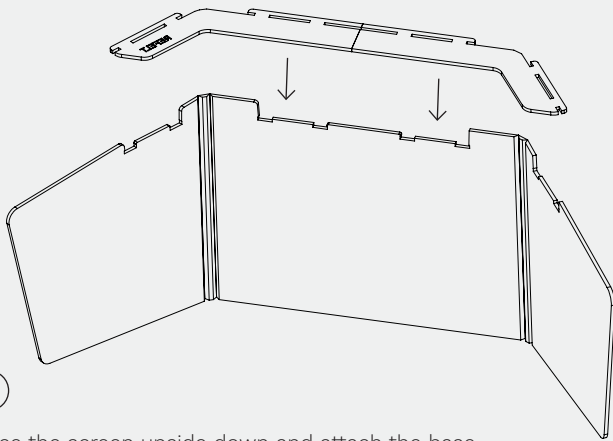


Workplace Divider



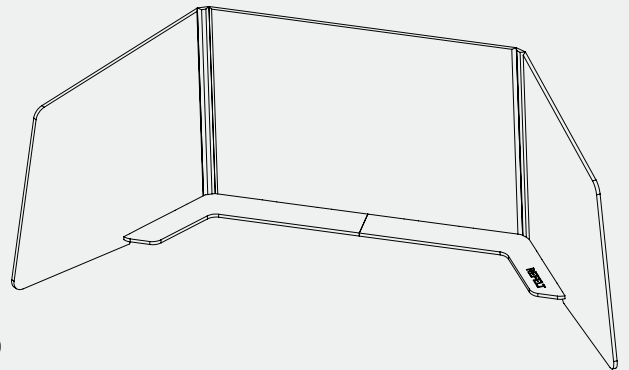
①

Unfold the base and the screen.



②

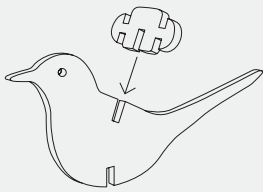
Place the screen upside down and attach the base to it. Press gently.



③

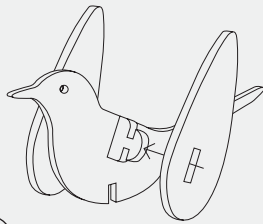
The divider is assembled - turn it over and place it on a desk.

Do Not DisturBird



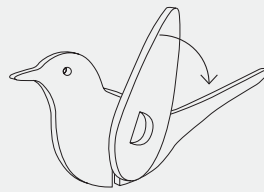
①

Snap the centrepiece into the bird.



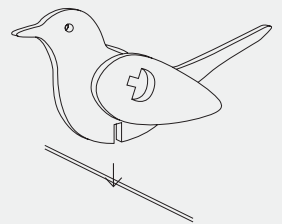
②

Insert the wings into the centrepiece.



③

Turn the wings a quarter turn.



④

Place the Do Not DisturBird on the workplace divider.

